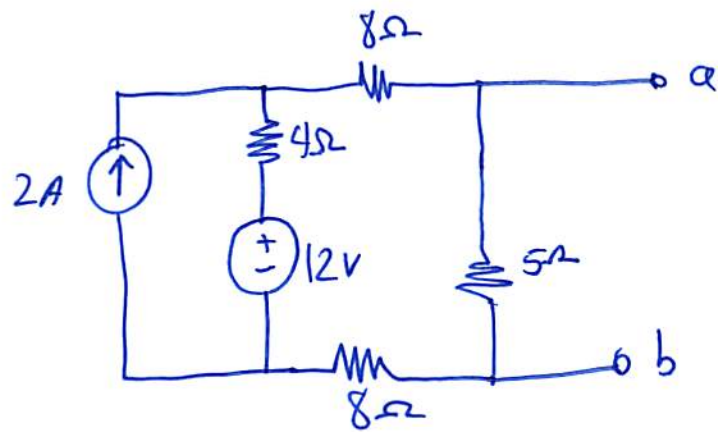
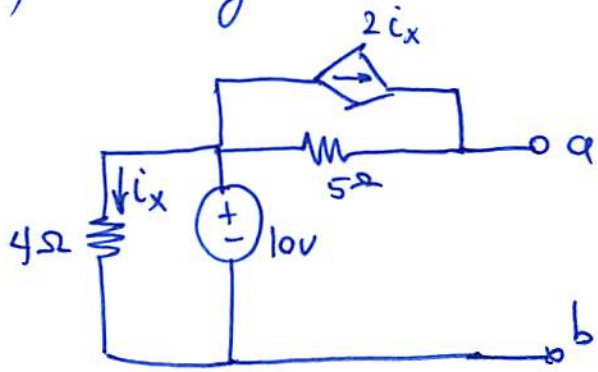


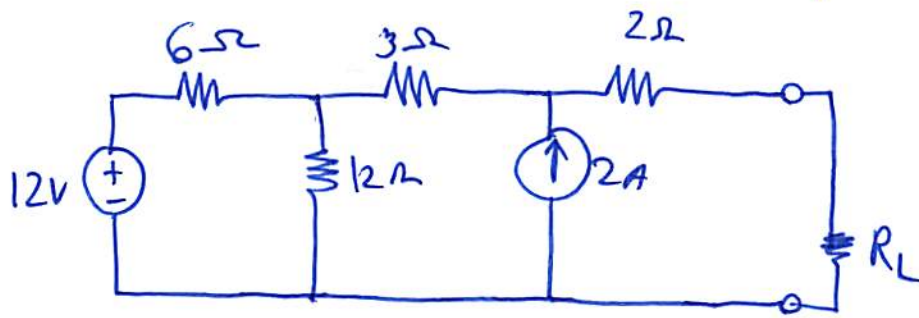
1) Find the Norton equivalent circuit between terminals a-b.



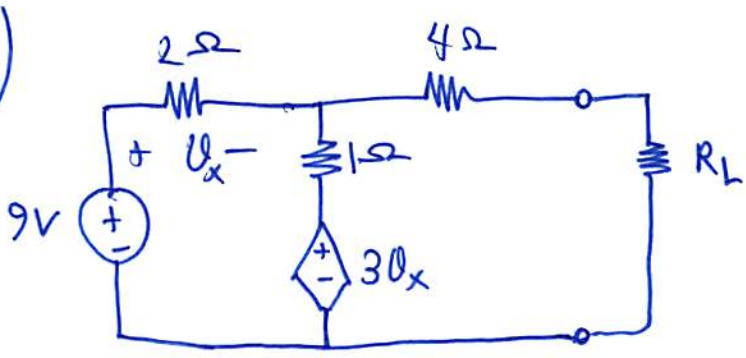
2) Using Norton's theorem find R_N & I_N between terminals a-b.



3) Find the value of R_L for max. power transfer.



4)



Det. the value of R_L
that will draw the max.
power from the circuit.