

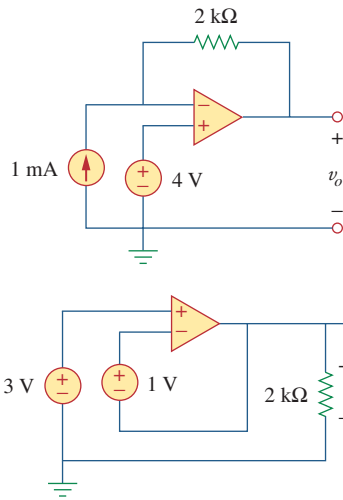
Boise State University
Electrical Engineering Department

EE 210: Circuits I
Spring 2017

Due Date: Wed. 3/15/2017

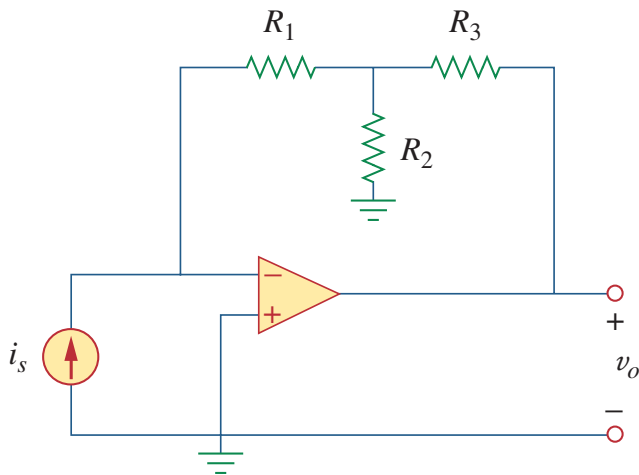
Problem 1.

Determine v_o for each of the op amp circuits.



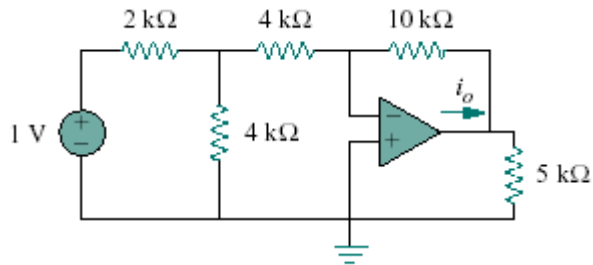
Problem 2.

- (a). Determine the ratio v_o/i_s in the op amp circuit.
- (b) Evaluate the ratio for $R_1 = 20 \text{ k}\Omega$, $R_2 = 25 \text{ k}\Omega$, $R_3 = 40 \text{ k}\Omega$.



Problem 3.

Determine i_o in the circuit



Problem 4.

Referring to the circuit shown, determine V_o in terms of V_1 and V_2 .

