

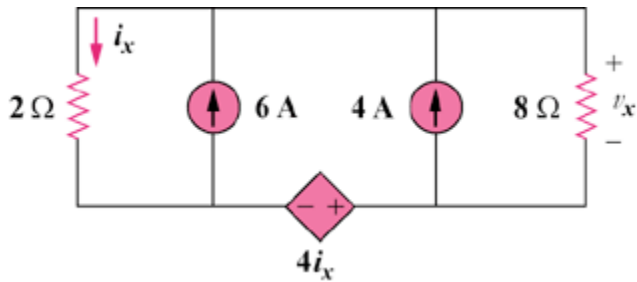
Boise State University
Electrical Engineering Department

EE 210: Circuits I
Spring 2017

Due Date: Wed. 3/01/2017

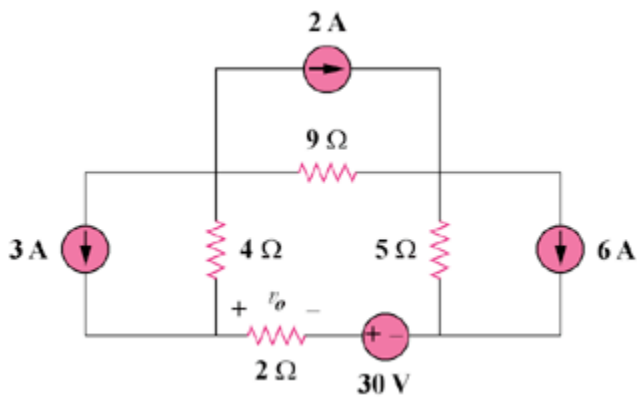
Problem 1.

Use superposition to solve for v_x in the circuit



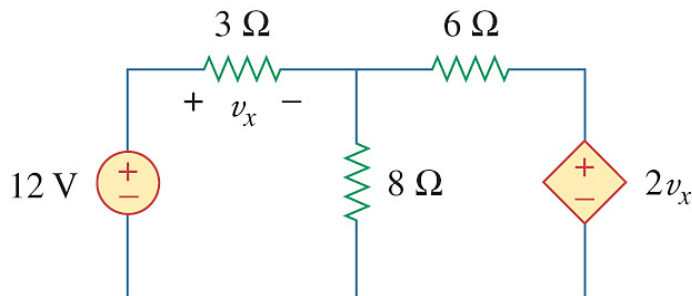
Problem 2.

Obtain v_o in the circuit below using source transformation. Check your result using *PSpice*.



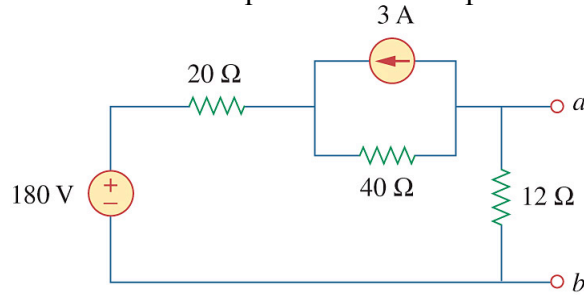
Problem 3.

Determine v_x in the circuit below using source transformation.



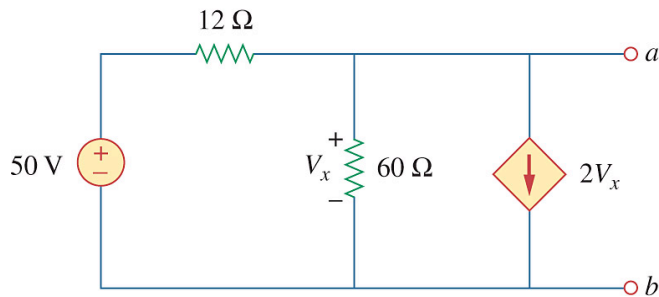
Problem 4.

Find the Norton equivalent with respect to terminals $a-b$ in the circuit below.



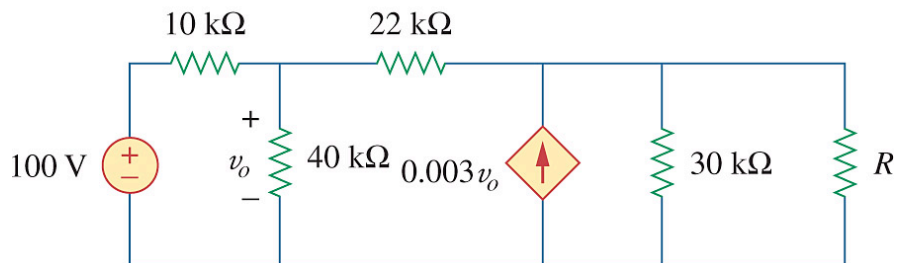
Problem 5.

Obtain the Thévenin and Norton equivalent circuits of the circuit below with respect to terminals a and b .



Problem 6.

Find the maximum power transferred to resistor R in the circuit below.



Problem 7.

Obtain the Thévenin and Norton equivalent circuits at the terminals $a-b$ for the circuit below.

