

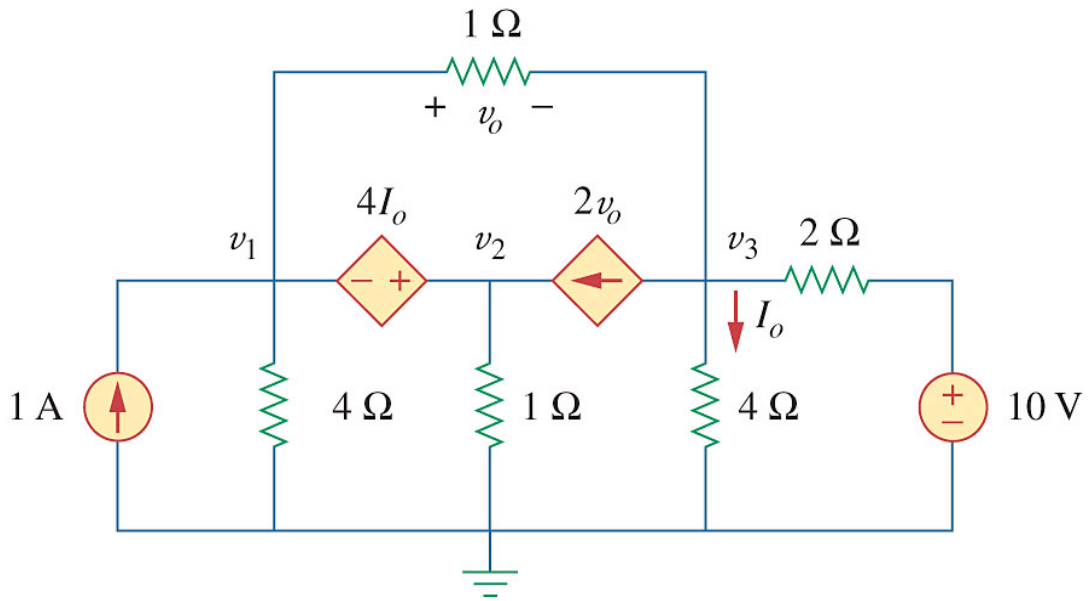
Boise State University
Electrical Engineering Department

EE 210: Circuits I
Spring 2017

Due Date: Wed. 2/22/2017

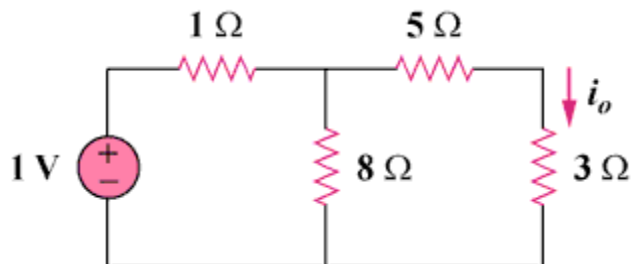
Problem 1.

Find the node voltages for the circuit in Fig. 3.80.



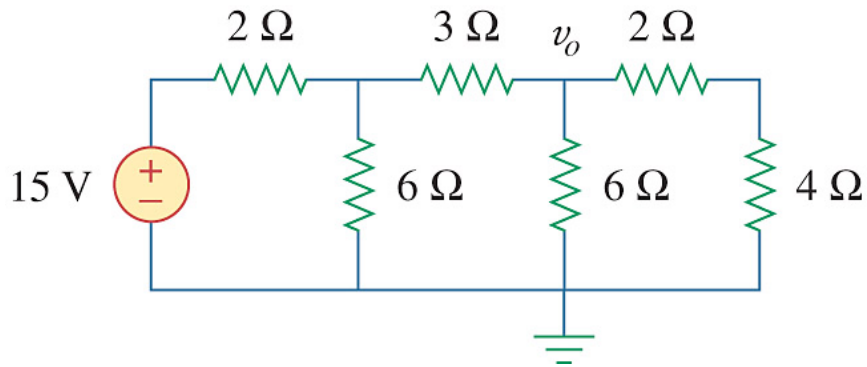
Problem 2

Calculate the current i_o in the circuit. What does this current become when the input voltage is raised to 10 V?



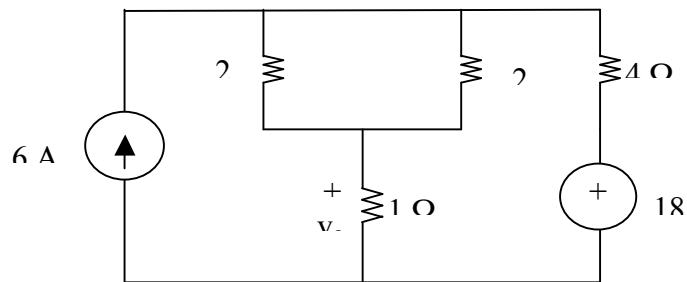
Problem 3

For the circuit, assume $v_o = 1$ V, and use linearity to find the actual value of v_o .



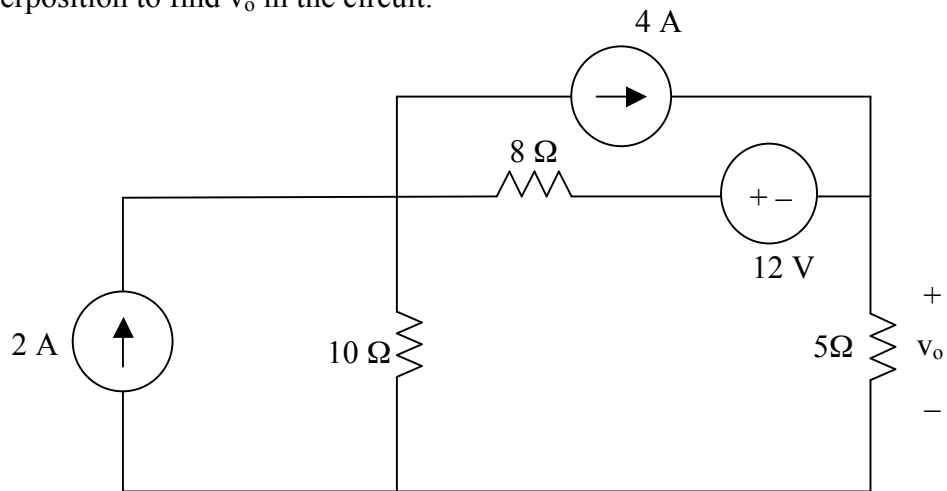
Problem 4

Use superposition to find v_o in the circuit.



Problem 5

Use superposition to find v_o in the circuit.



Problem 6

Use superposition to solve for v_x in the circuit

