

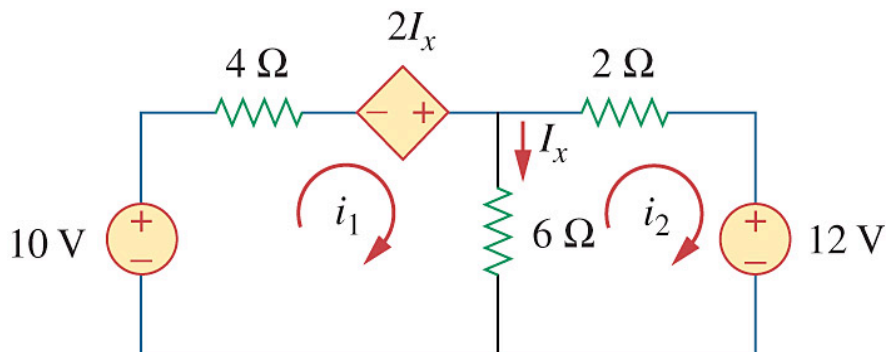
Boise State University
Electrical Engineering Department

EE 210: Circuits I
Spring 2017

Due Date: Wed. 2/08/2017

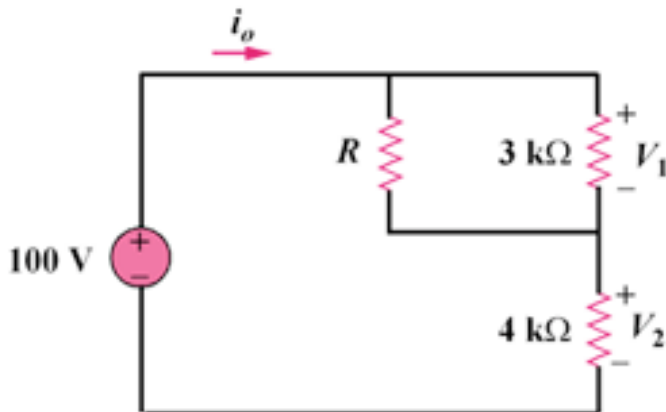
Problem 1.

Determine the mesh currents i_1 and i_2 in the circuit.



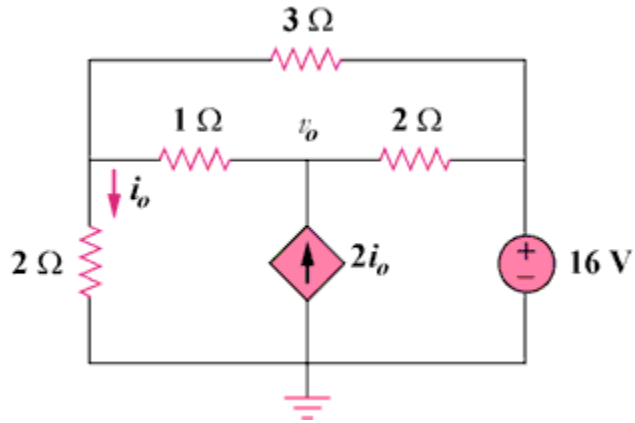
Problem 2

In the circuit in Fig. 3.102, find the values of R , V_1 , and V_2 given that $i_o = 18$ mA.
(Use Mesh Analysis)



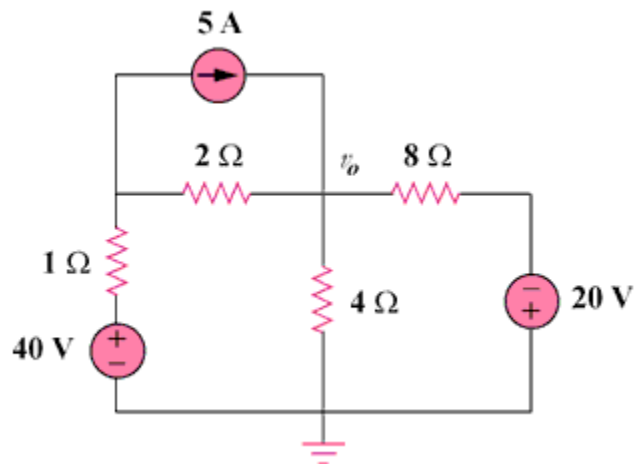
Problem 3

Write equations for mesh analysis.



Problem 4

Apply mesh analysis to find v_o in the circuit in Fig. 3.96.



Problem 5

Write equations for mesh analysis.

