

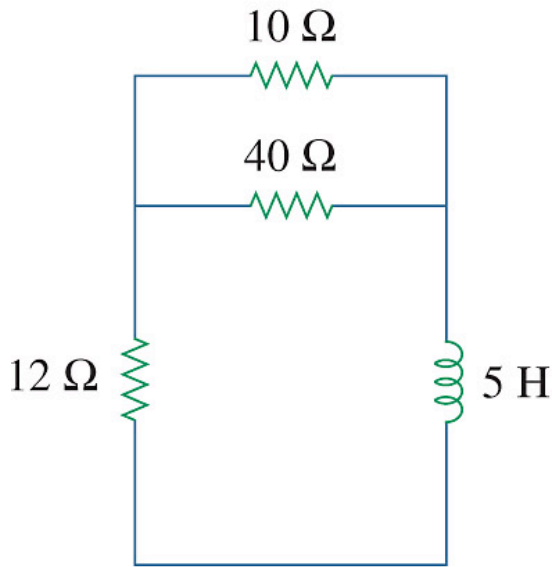
Boise State University
Electrical Engineering Department

EE 210: Circuits I
Spring 2017

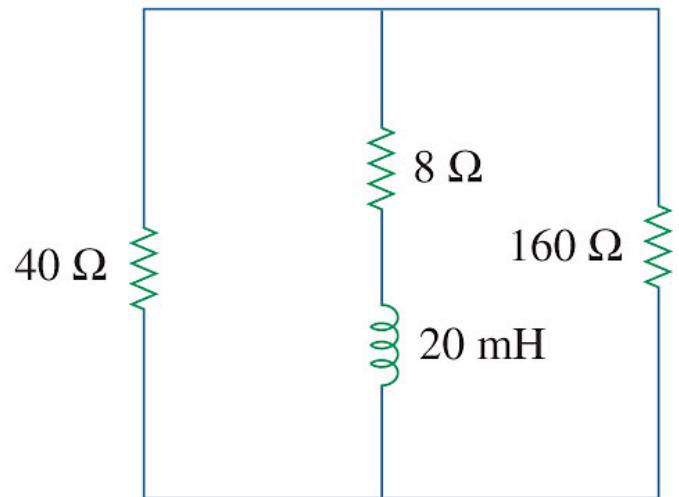
Due Date: Wed. 3/15/2017

Problem 1.

Find the time constant for each of the circuits below.



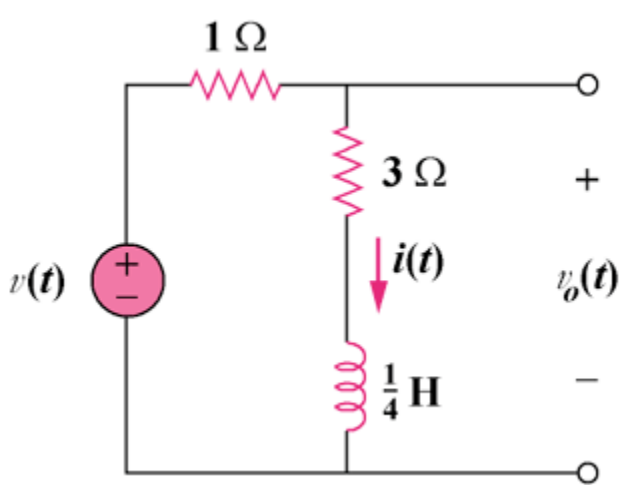
(a)



(b)

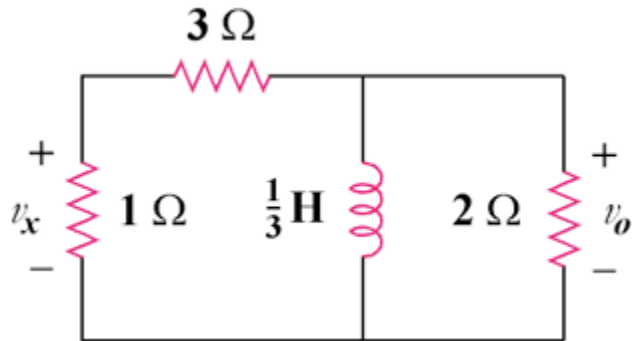
Problem 2.

Consider the circuit below. Find $v_0(t)$ if $i(0) = 2$ A and $v(t) = 0$.



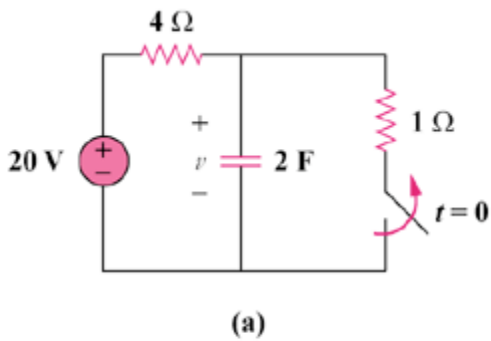
Problem 3.

Consider the circuit in below. Given that $v_o(0) = 2 \text{ V}$, find v_o and v_x for $t > 0$.



Problem 4

Calculate the capacitor voltage for $t < 0$ and $t > 0$ for the circuits below.



Problem 5

Consider the circuit below. Find $i(t)$ for $t < 0$ and $t > 0$.

